

Pimax Crystal

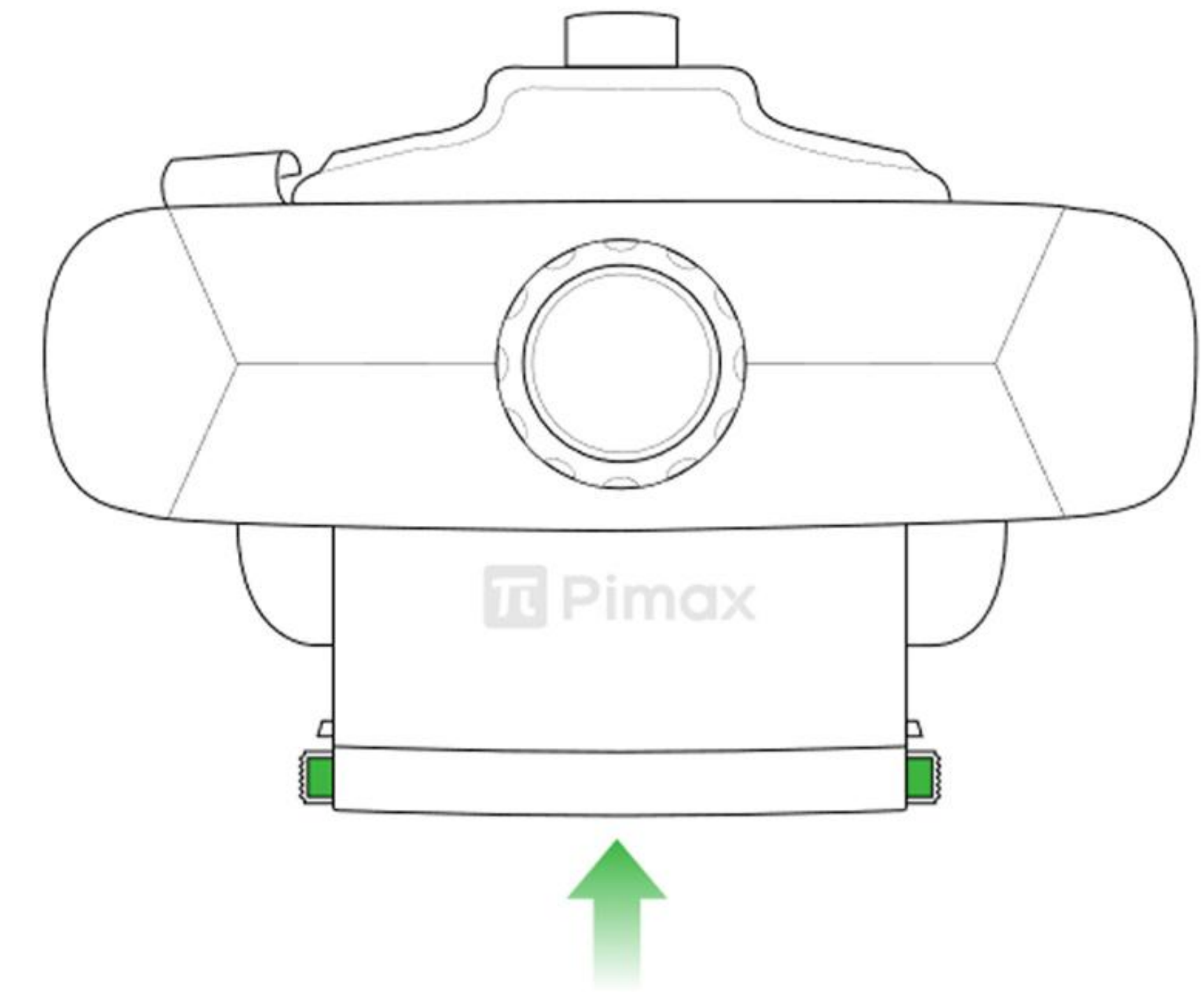
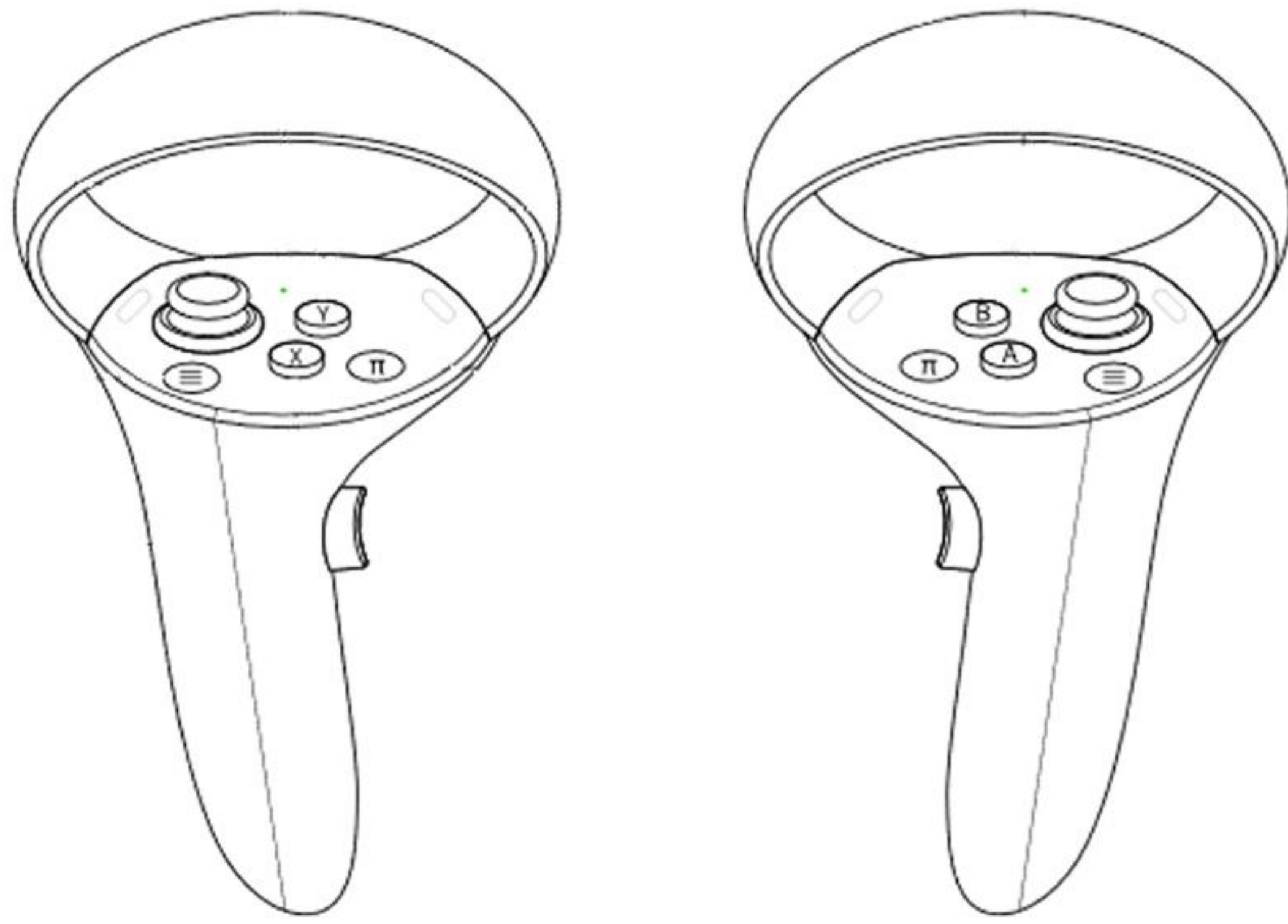
Connect to PC

Quick Guide

PC Performance Requirements

GPU	NVIDIA®GeForce RTX 2070 and above	AMD card compatible (7900/6700/6950)
CPU	Intel® Core™ i5-12500/ AMD Ryzen™ 7 3700X and above (Avoid using CPU with integrated GPU)	
RAM	16GB and above	
USB	1x USB-A 3.0/3.1 1x USB-A 2.0 and above	

Before connecting to the PC, make sure the controllers and headset are charged.



Controller Status Indicator Legend

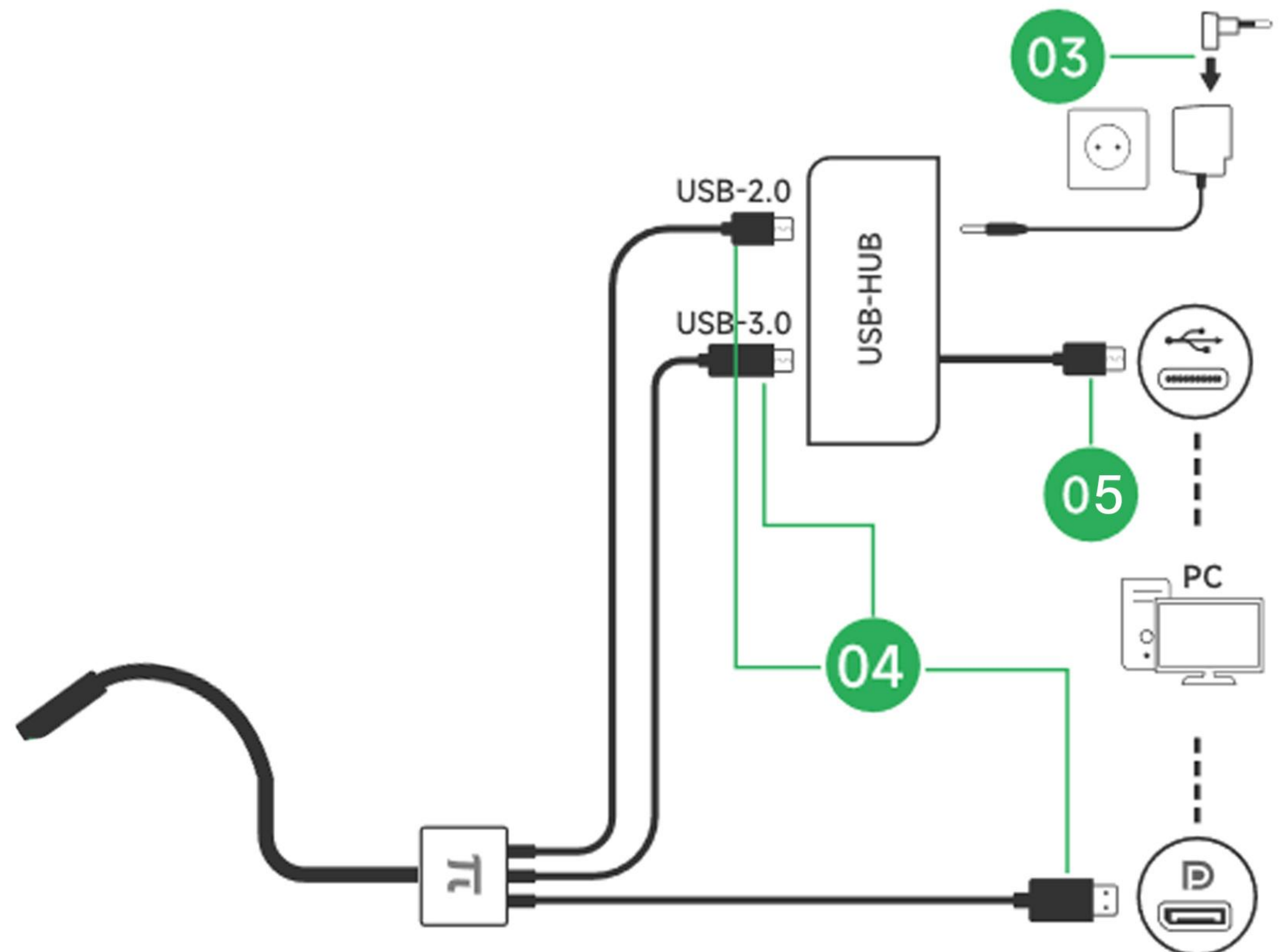
- Off: Connected or Powered off
- ⚡ Red flashing: Charging
- ⚡ Blue flashing: Searching for connection (Turn off after 60s)
- White: Charging complete
- ⚡ White flashing: Firmware update
- Green: Paired (Turn off after 30s)
- Red flashing slowly: Low battery
- Blue: Cancel Paired (Turn off after 60s)
- Yellow light: Paired to the PC, not connected to the base station (the light will turn off after 30s)

Headset Status Indicator

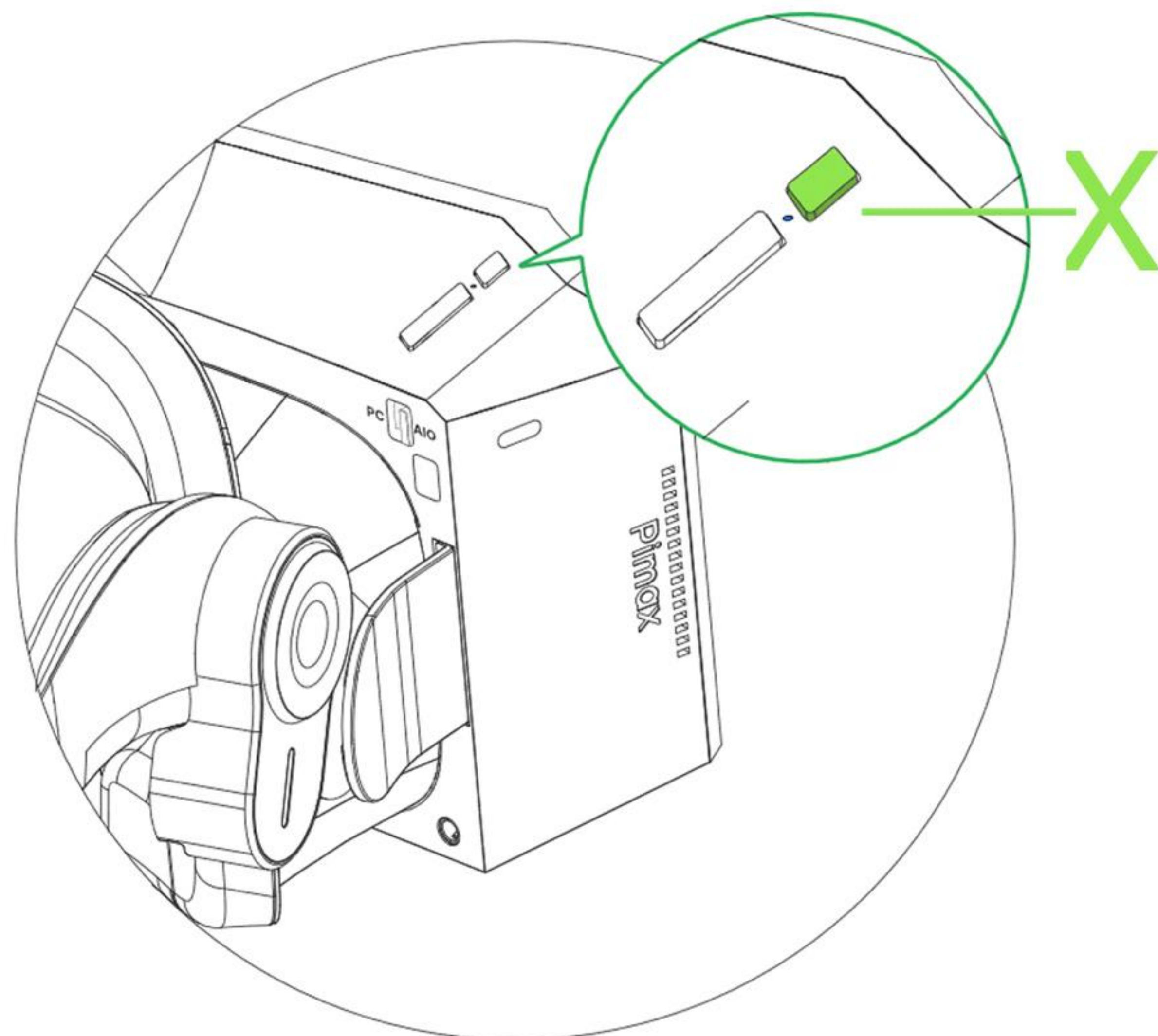
- Off: Sleeping/Powered off/interrupt
- ⚡ White flashing: the headset is powering on (the light will turn off after 3s)
- White: Charging completed
- Yellow: Replace the battery (It will turn off after replacement or after shutdown)
- Red: Low power
- Blue: Charging

Connect To PC

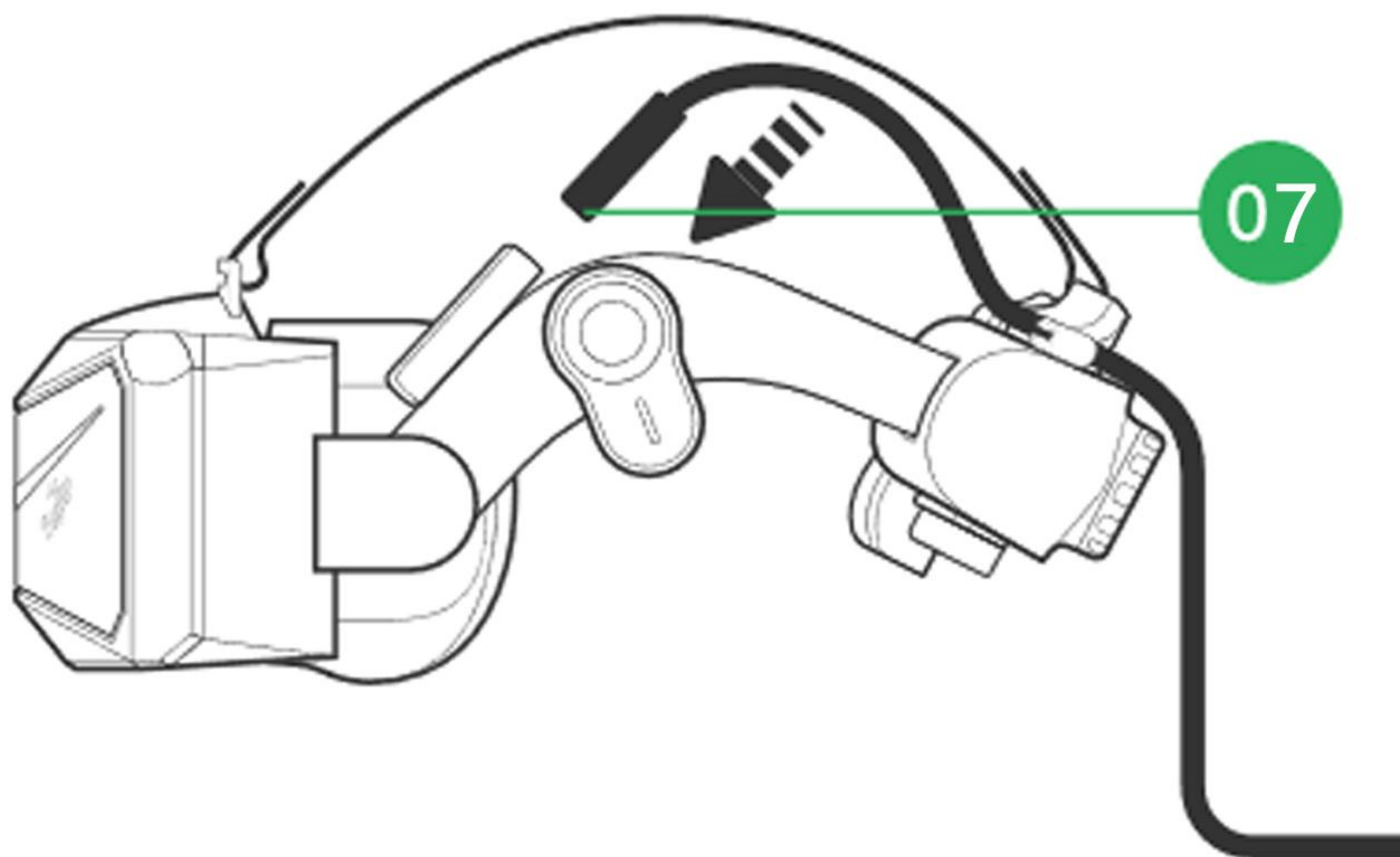
1. Download and install Pimax Play
<https://pimax.com/download-pcvr-crystal/>
2. Start Pimax Play
3. Connect the power adapter to the USB-HUB.
4. Connect the two USB plugs to the USB-HUB, then the DP cable into your PC.
5. Connect the USB-HUB to your PC using the USB cable included with the hub.



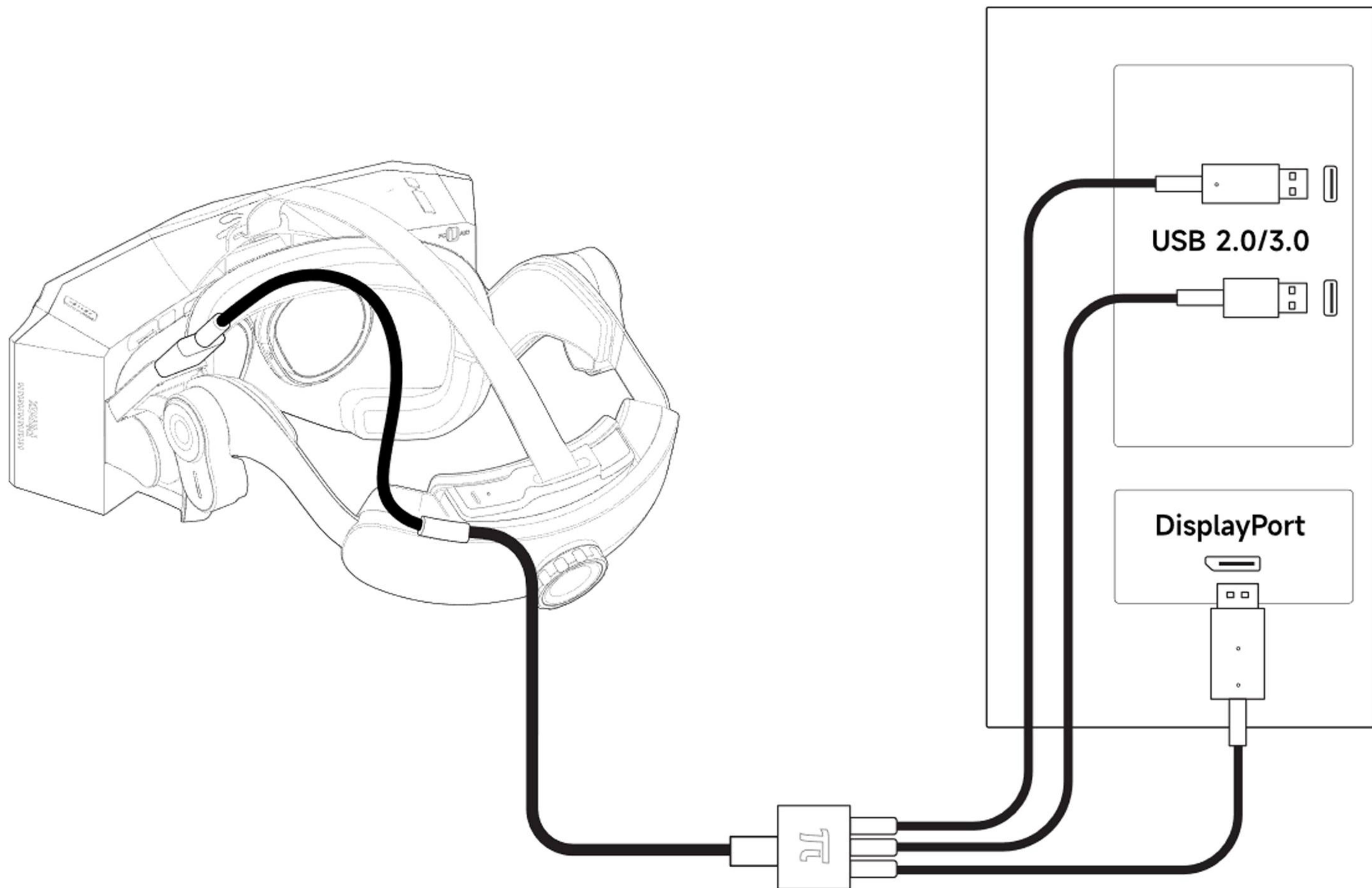
6. Turn on the crystal. Hold the Power button **X** until the battery glows blue and the Pimax logo appears in the glasses.



7. Connect the DP cable to your headset. You should hear a clicking sound to confirm that it has been properly connected.



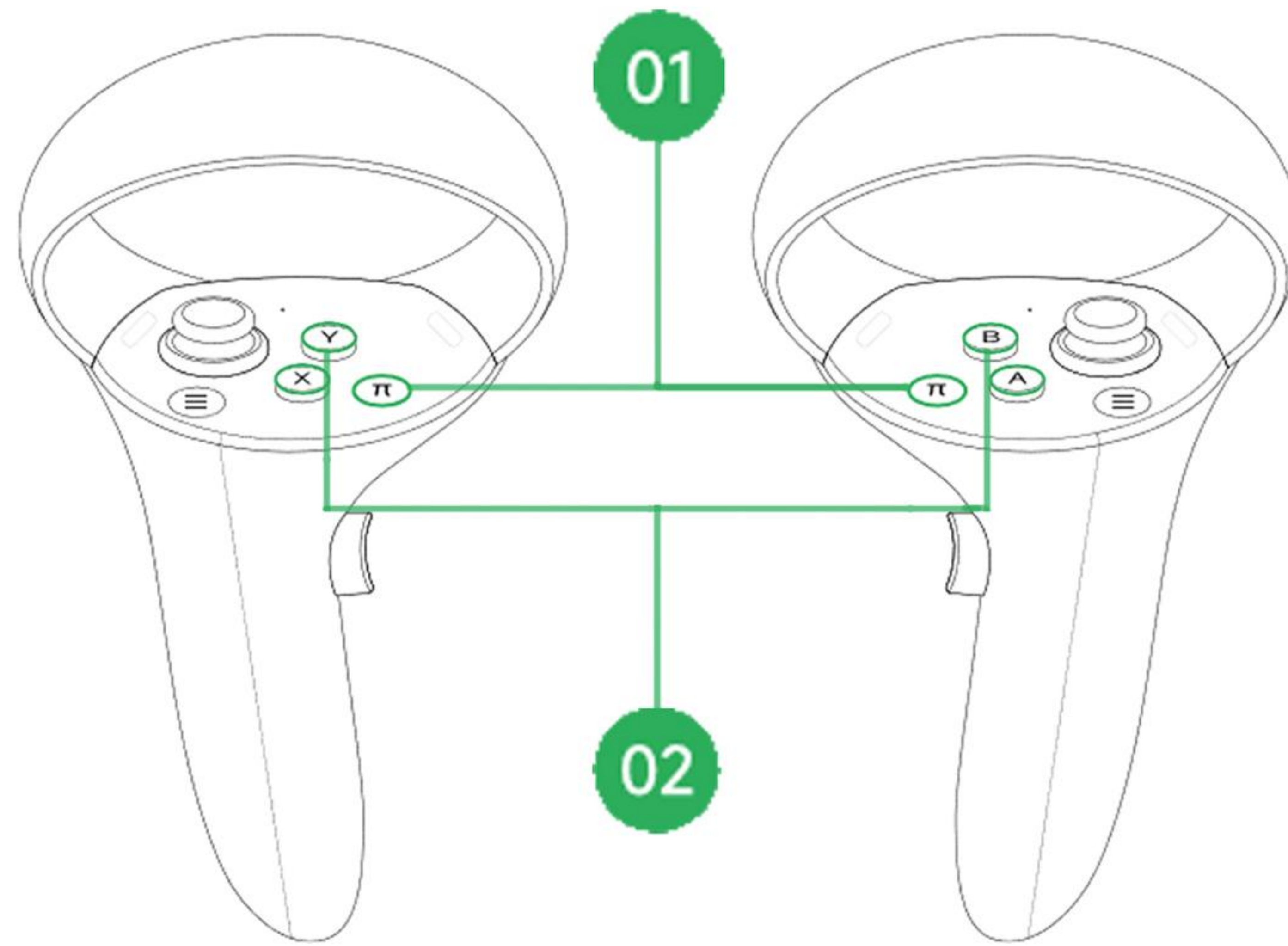
8. If the Crystal are not recognized and there is no connection to the computer, try to connect without the USB HUB. To do this, connect the USB A 2.0 and 3.0 directly to your computer.



New Controller Pairing (Left And Right Controller Need To Be Paired Separately)

1. Powering on the Controllers

Press and hold the π Button for 2 seconds
(blue light/green light always on)



2. Click SET PAIR in the Pimax Play, then press and hold **A+B/X+Y** until the controller's indicator light begins flashing blue.

3. According to the prompt, and then click PAIR in the Pimax Play.

- The pairing of controllers needs to be done individually one by one.
- During the pairing process, it is necessary to ensure that the headset is not in sleep mode.

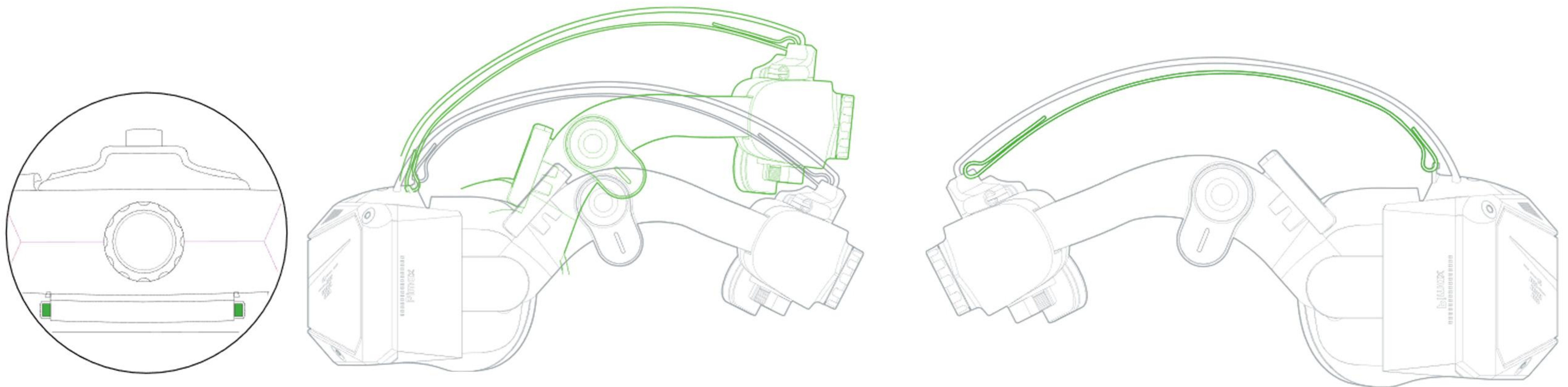
4. Wait for the controller's green indicator light to come on. Once the light comes on the Pimax Play will that the controllers have been paired and the UI should show the controller graphic illuminated in the color green.

How To Adjust The Headset For A Comfortable Fit And View

1. Adjust the strap dial located on the back of the main strap to tighten or loosen the fit.
2. Fine-tune the top headstrap to adjust the headset's vertical position on your face.
3. Fine-tune the length and position of the straps until you are comfortable with the fit and visual experience.
4. The Auto IPD feature will adjust the IPD to the appropriate position.

You can also adjust the IPD in the "device settings → IPD" on the PimaxClient, enter the value of your IPD, and click "setting" to adjust the IPD to the appropriate position;

5. Press the headband down to the back of the head and tighten the strap dial.
6. Adjust the head strap to reduce pressure on the forehead.



Problem solutions and detailed instructions

For further instructions and troubleshooting, check out here.

<https://pimax.com/crystal-evaluation-journey/>

Software	Eye Tracking User Guide
	Auto IPD User Guide
	Crystal 120Hz User Guide
	Stand-Alone User Guide
Hardware	Lighthouse User Guide