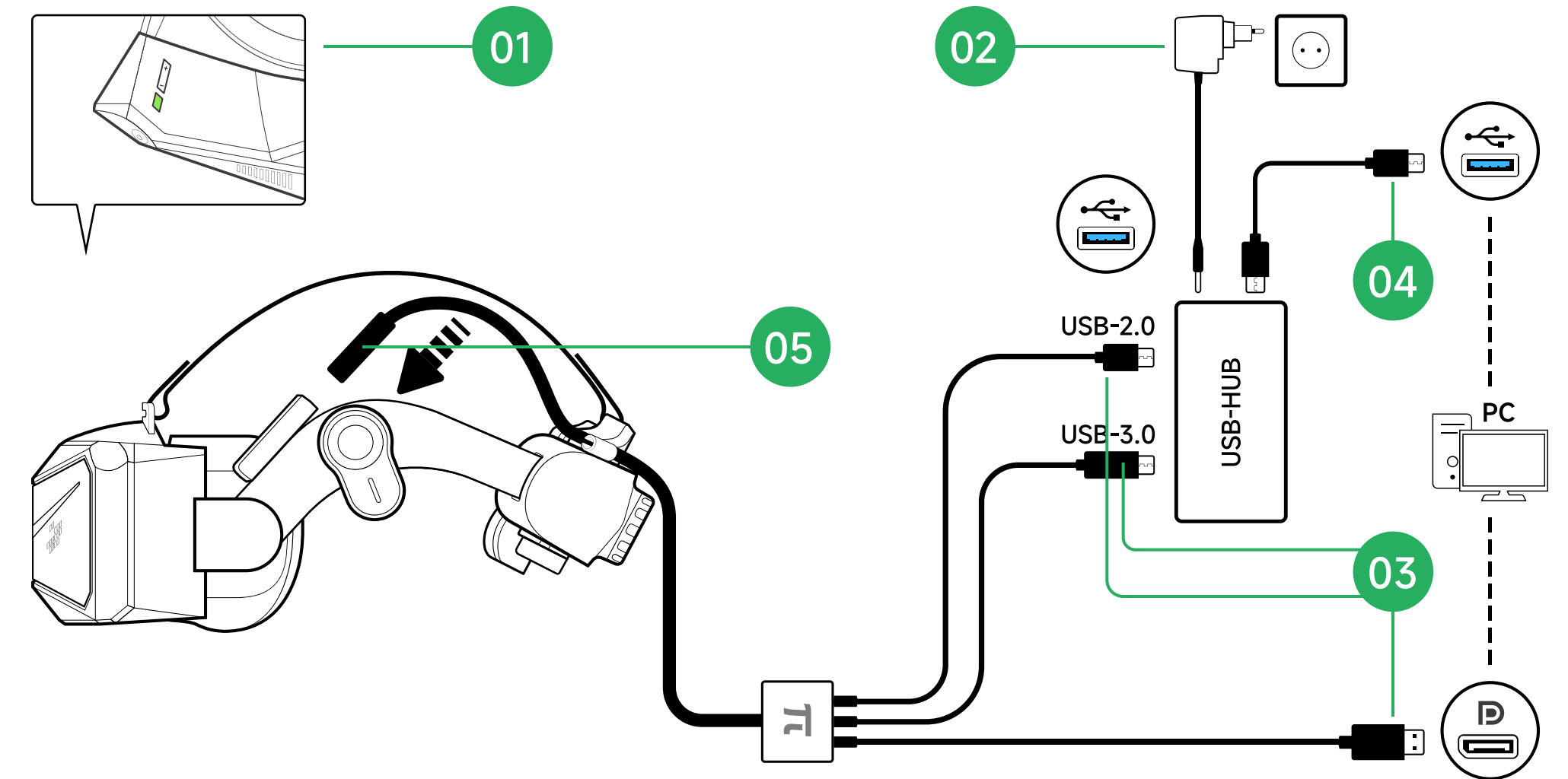


# Pimax Crystal

## Quick Guide

### Connect To PC

1. Switch to PCVR mode and power on.
2. Connect the power adapter to the USB-HUB.
3. Connect the two USB plugs to the USB-HUB, then the DP cable into your PC.
4. Connect the USB-HUB to your PC using the USB cable included with the hub.
5. Connect the DP cable to your headset.



# Battery Installation/Replacement

## Battery Installation

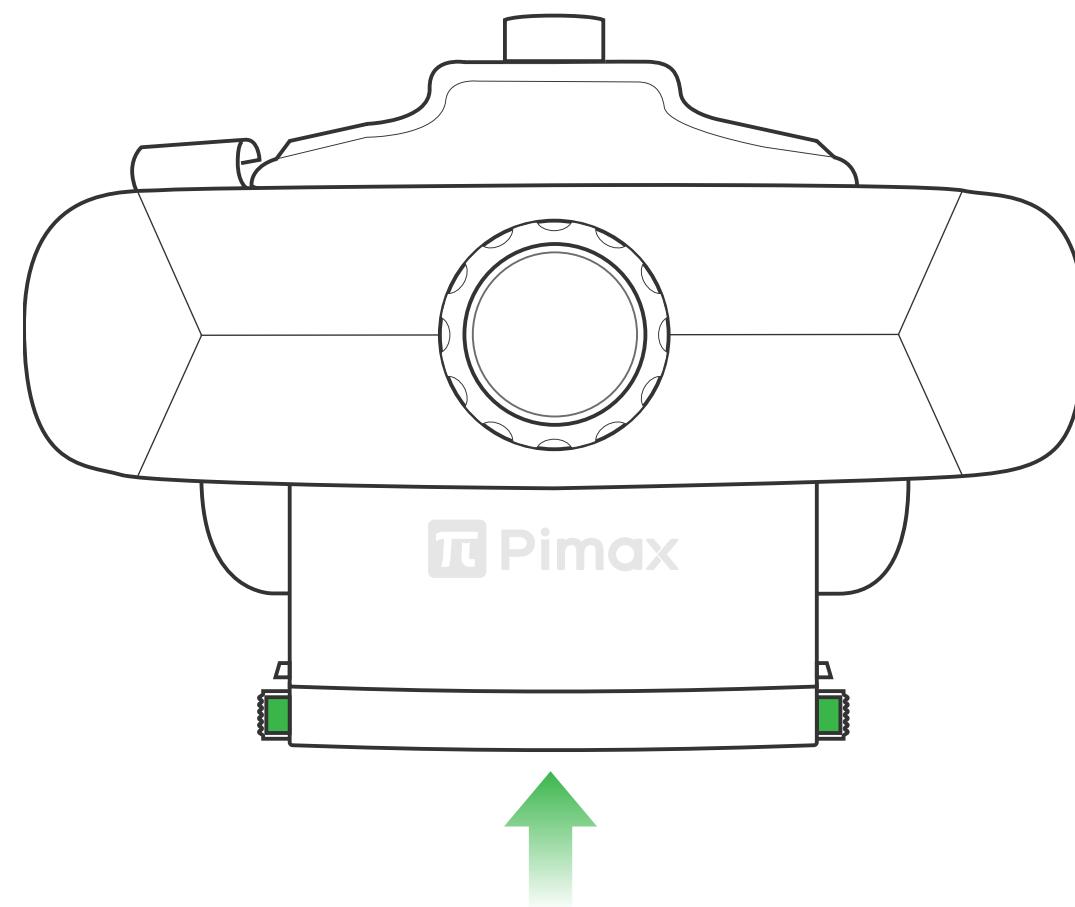
Hold the buttons on both sides of the battery, and then push the battery upwards into the battery holder.

## Battery Replacement

Start by releasing the latch on one side, and then release the latch on the other side while tugging gently one side at a time.

### Youtube:

<https://youtu.be/pQs9TyS3LZE>

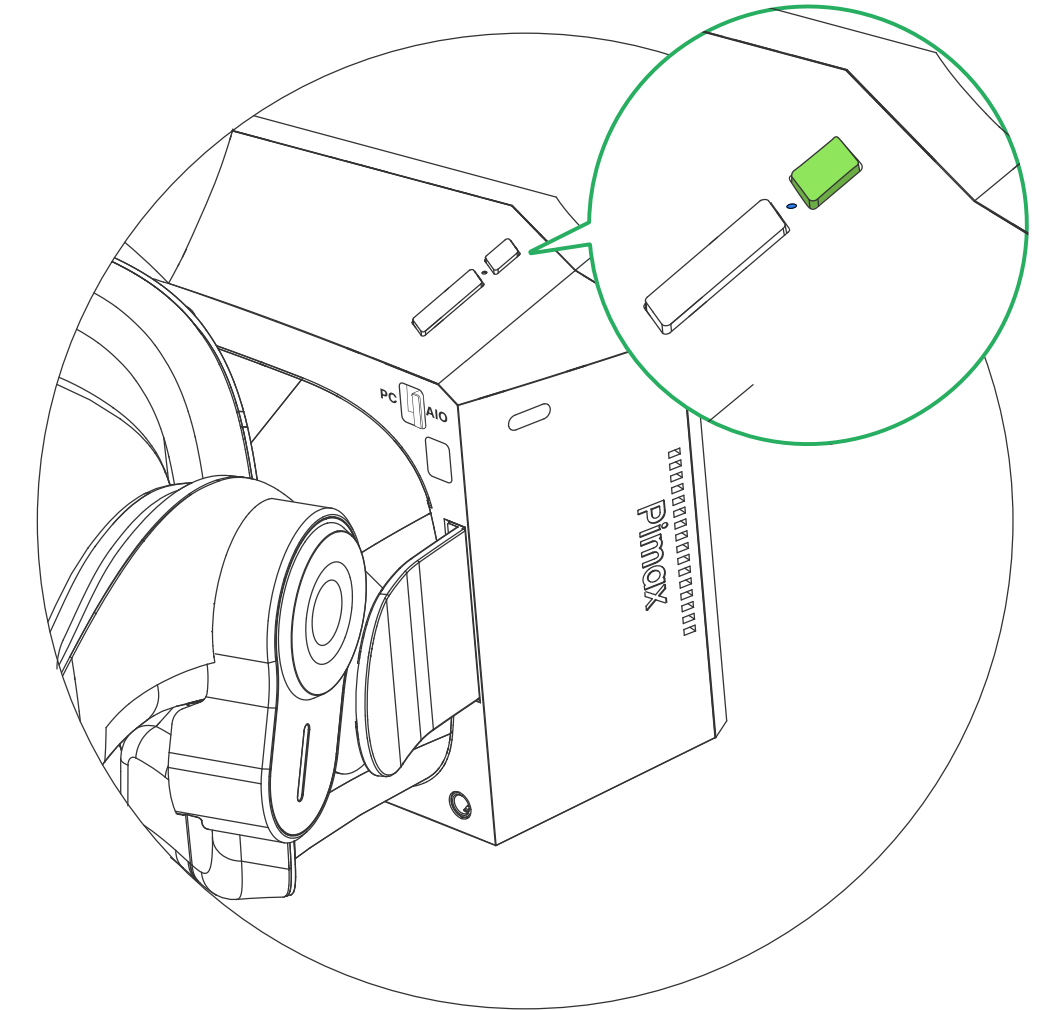


# How To Hot-Swap The Battery

1. Hot-swap the battery only when the device is in low-power mode.
2. Press the power button to turn off the screen and wait for the blue light at the battery compartment, located at the back of the headset, to turn off.
3. Replace the battery within 1 minute.

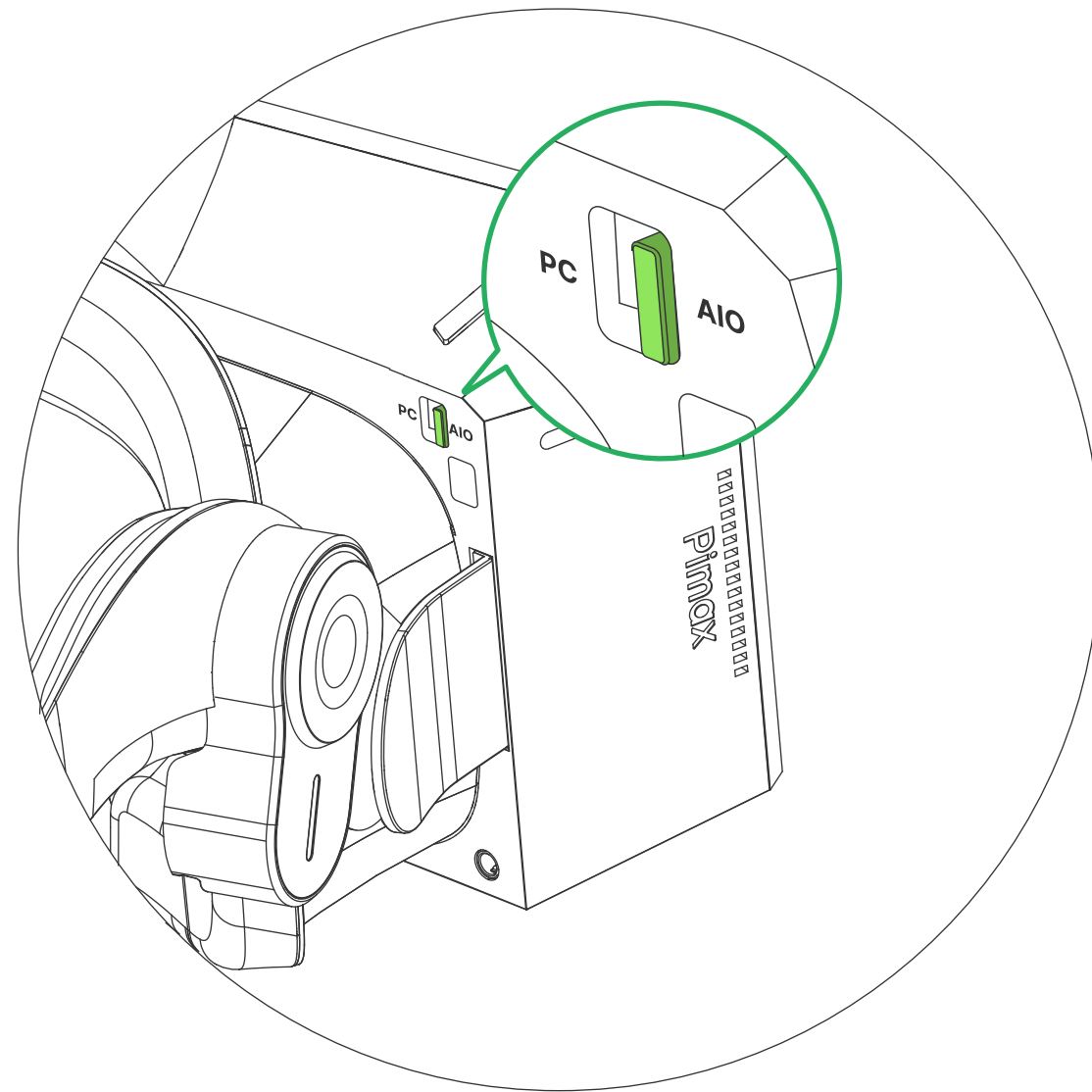
### ※ Reminder :

Please note that hot-swapping the battery should only be done when the device is in low-power mode, and it is important to complete the battery replacement within the specified time frame.



## PC / AIO Mode

To switch between 'PC' mode and 'AIO' mode (Standalone), locate the toggle switch and adjust it accordingly..

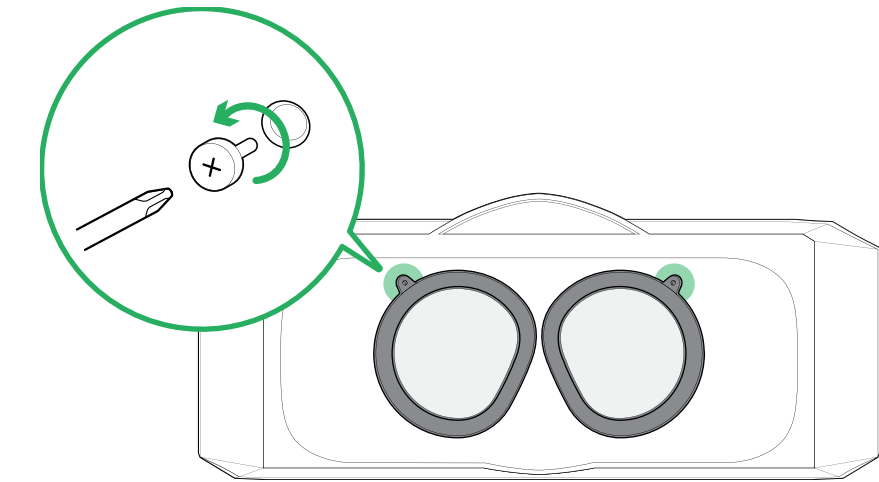


※ **Reminder :** If the device is turned on, the headset will automatically restart if you switch modes.

## Lenses Removal

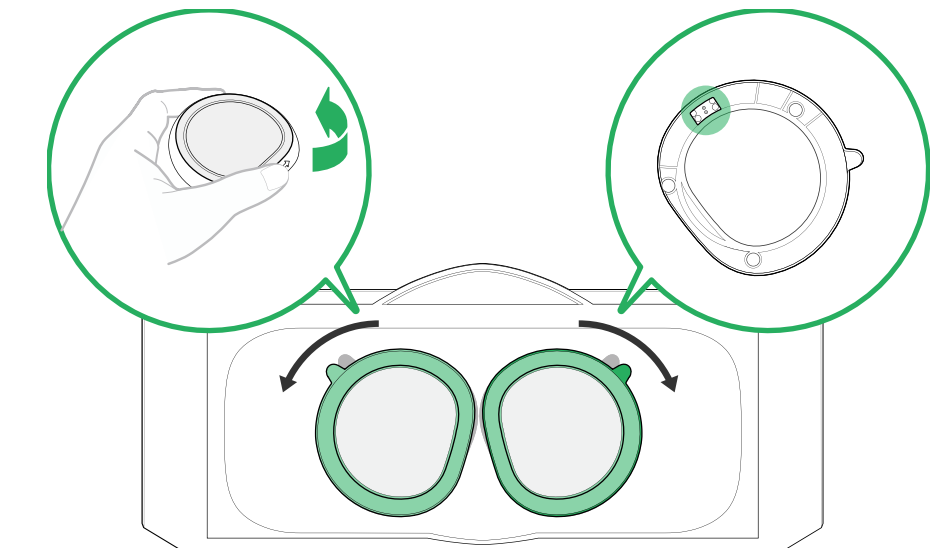
01

Loosen the screw that secures the lens in place.



02

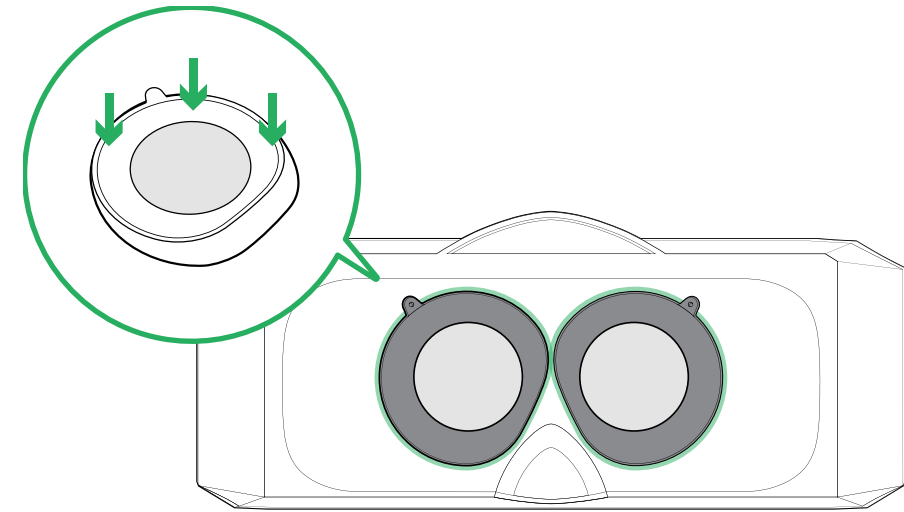
Pinch the edge of the lens holder and gently rotate the lens to release it from the holder. Continue rotating until the lens can be easily removed.



# Lenses Installation

01

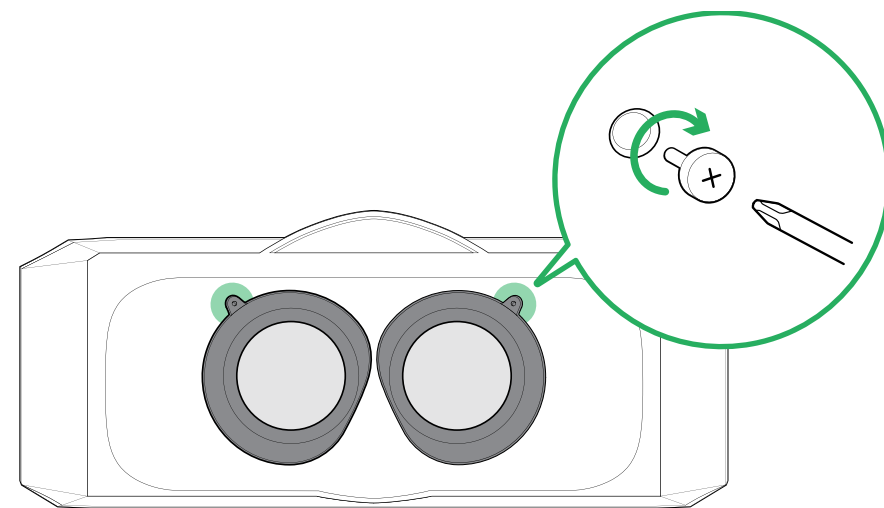
Install the lenses on the lens holder for the left and right eye respectively, then gently press the edges to secure it.



※ **Reminder :** Each set of lenses has a designated left and right lens.

02

After ensuring that the lens and lens holder line up, tighten the secure to lock in place.



# Pimax Client Software

For guidance on how to pair your Crystal with your computer, follow the instructions within the software.



## Software Features

1. Store - Offers a range of paid and free games and applications.
2. Device pairing - Account management, WiFi and screen mirroring settings.
3. Product manual and introduction
4. After-sales service link

**For more guidance, please:**

[pimax.com/support](https://pimax.com/support)